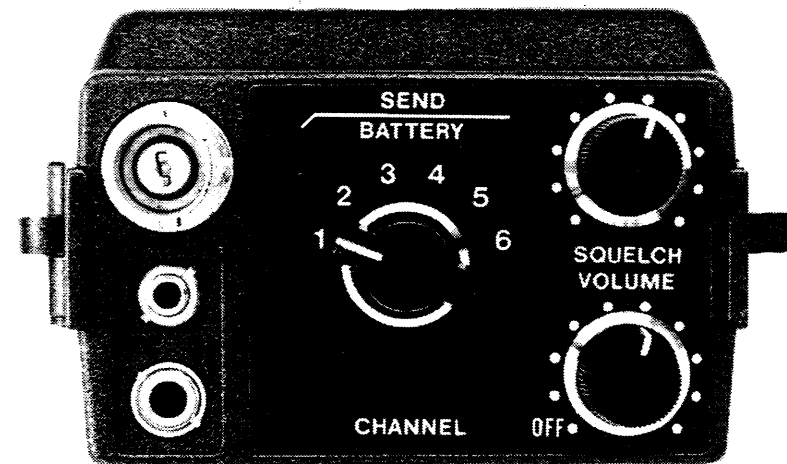


# IC-H2/6

VHF RADIOTELEPHONE

## INSTRUCTION MANUAL



## TABLE OF CONTENTS

I. INTRODUCTION .....	1
II. SPECIFICATIONS .....	2
III. ACCESSORIES .....	4
IV. PRE-OPERATION .....	5
V. CONTROL FUNCTIONS .....	11
VI. OPERATION .....	15

## **SECTION 1 INTRODUCTION**

### **SYNTHESIZED HANDHELD TRANSCEIVER**

The ICOM IC-H2/6 is a very compact VHF synthesized handheld transceiver. Using the latest in electronic design, the IC-H2/6 offers diode programming for frequency selection, eliminating the need, expense and delay in ordering and changing crystal to change the channel configuration. Channels are easily installed or changed, any time, at your dealer, by changing diode positions on the matrix board. Offering rugged construction, extreme stability and frequency accuracy, the IC-H2/6 will give you years of troublefree operation.

### **VARIOUS POWER PACKS AVAILABLE**

The Power Pack is slipped on the bottom of the radio very easily, and various power packs are available to suit your needs, for minimum size, higher power or longer use.

### **HIGHLY EFFICIENT FLEXIBLE ANTENNA**

A highly efficient flexible antenna is supplied with the set. Since the IC-H2/6 uses a standard BNC-type connector an external antenna may be easily substituted for the flexible antenna.

## SECTION II SPECIFICATIONS

### GENERAL

Number of Semiconductors	Transistors	41 (IC-H6: 43)
	FET	3
	IC	5
	Diodes	15 (not including diodes on the matrix board)
Number of Channels	2 programmable channels (IC-H6: 6 programmable channels)	
	Operation: Simplex, Semi-duplex	
Channel Spacing	30KHz (IC-H6: 25KHz) Any inband frequency in 15KHz (IC-H6: 5KHz) increments programmable (12.5KHz increment version available)	
Frequency Stability	0.001 Percent	
Usable Temperature	-30 Degrees C to 60 Degrees C (-22 Degrees F to 140 Degrees F)	
Antenna Impedance	50 ohms unbalanced	
Power Supply Requirement	DC 8.4V; with attendant power pack IC-CM3, DC 7 to 12V negative ground is acceptable	
Current Drain at 8.4V	Transmitting	
	At 2.5 watts output	Approx. 700mA
	Receiving	
	At max audio output	Approx. 130mA
	Squelched	Approx. 25mA
Dimensions	116.5mm(H) x 65mm(W) x 38mm (IC-H6: 45mm)(D) without power pack	
	Attendant power pack, IC-CM3: 49mm(H) x 65mm(W) x 35mm(D)	
Weight	470g (IC-H6: 510g) including power pack, IC-CM3 and flexible antenna	

## RECEIVER

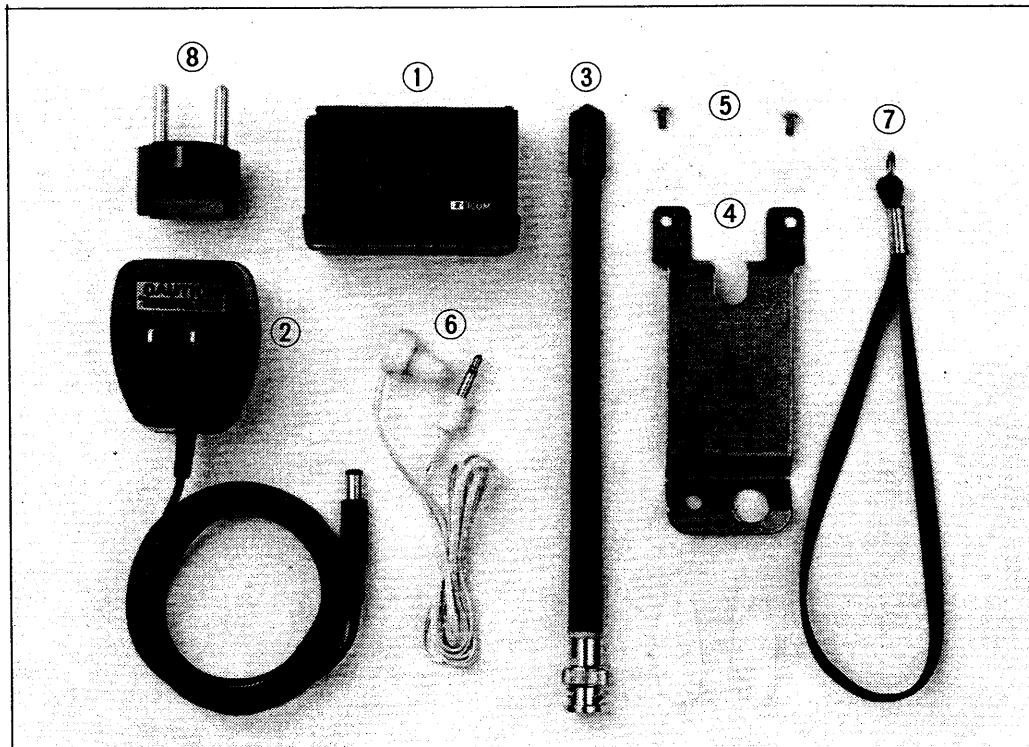
Frequency Range	150 ~ 174MHz (Specified 5MHz segment)
Receiving System	Double-conversion superheterodyne
Modulation Acceptance	16F <sub>3</sub> ±7.5KHz
Intermediate Frequency	1st: 10.695MHz (IC-H6: 16.9MHz) 2nd: 455KHz
Sensitivity	Less than 0.5μV for 20dB Noise quieting Less than 0.4μV for 12dB SINAD
Squelch Sensitivity	Less than 0.4μV
Spurious Response Rejection Ratio	More than 50dB (IC-H6: 60dB)
Selectivity	More than 65dB at adjacent channel
Intermodulation Rejection Ratio	More than 60dB
Audio Output Power	More than 300mW at 10% distortion
Audio Output Impedance	8 ohms

## TRANSMITTER

Frequency Range	150 ~ 174MHz (Specified 5MHz segment)
Output Power	2.5 Watts (4.5 watts with IC-CM5)
Emission Mode	16F <sub>3</sub>
Modulation System	Variable reactance frequency modulation
Max. Frequency Deviation	±5KHz
Spurious Emission	More than 60dB below carrier
Microphone	Built-in Electret condenser microphone Optional Speaker-microphone (IC-CM9) can be used

## SECTION III ACCESSORIES

Carefully remove your transceiver from the packing carton and examine it for signs of shipping damage. Should any be apparent, notify the delivering carrier or dealer immediately, stating the full extent of the damage. It is recommended that you keep the shipping cartons. In the event storage, moving, or reshipment becomes necessary, they come in handy. Various accessories are packed with the transceiver. Make sure you have not overlooked anything.



- |  |   |
|--|---|
| 1. Power pack IC-CM3 . . . . .         | 1 |
| (attached to the set)                  |   |
| 2. Wall charger CM-25U/E* . . . . .    | 1 |
| 3. Flexible antenna . . . . .          | 1 |
| 4. Belt clip. . . . .                  | 1 |
| 5. Belt clip retaining screws. . . . . | 2 |
| 6. Earphone. . . . .                   | 1 |
| 7. Hand-strap . . . . .                | 1 |
| 8. AC conversion plug** . . . . .      | 1 |

\* CM-25U for 117V AC  
 CM-25E for 240V AC

\*\* is not included in 117V AC  
 version.

## SECTION IV PRE-OPERATION

### BATTERY INSTALLATION

#### When using Nickel-Cadmium power pack IC-CM3:

The IC-CM3 is a rechargeable Nickel-Cadmium power pack, and it can be slipped onto or off the set very easily. It has a connector for a charger, charger-current control circuit, reverse polarity protection circuit and charge indicator LED in its own pack. You can use the supplied CM-25U/E wall charger or similar simple wall charger, or a 12V battery by using optional cable IC-CM1 for recharging. Before use, the power pack should be charged about 15 hours, because the battery may have discharged.

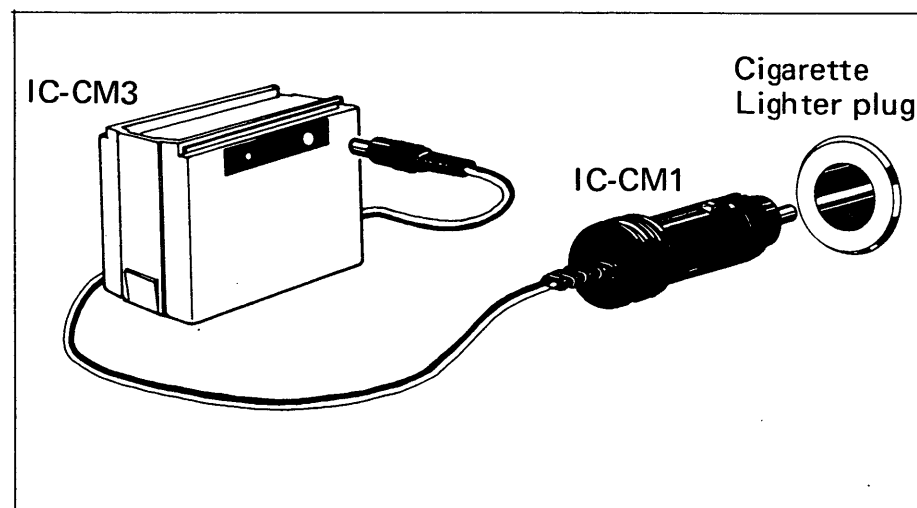
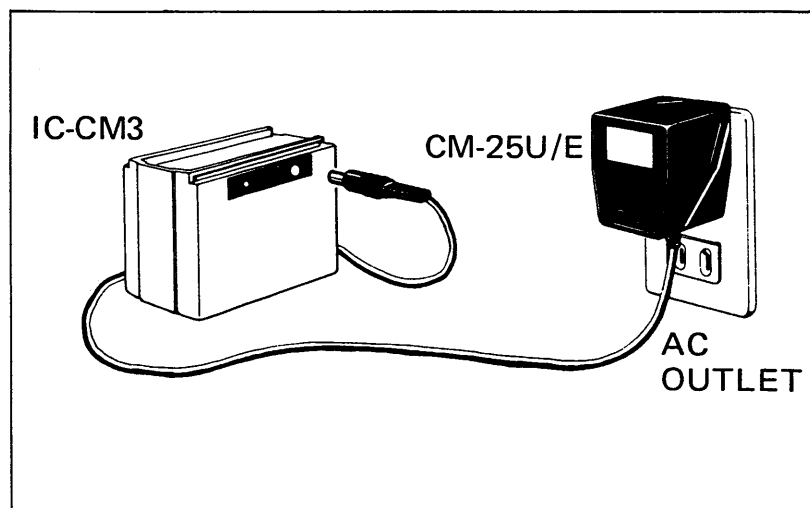
After charging is completed, the batteries can be used in the same manner as dry cells. However, the voltage of Nickel-Cadmium batteries drops rapidly just before they are exhausted, so when the Transmit Indicator LED of the transceiver goes out, be sure to immediately stop using it, and recharge the batteries again.

#### HOW TO CHARGE (When using Nickel-Cadmium power pack IC-CM3)

1. Use the supplied wall charger CM-25U/E or a stable power source with an output voltage of 13.8V DC and current capacity over 50mA, or use a 12V battery with optional charger cable IC-CM1. (Output voltage of 12 ~ 15V can be used, but output voltage near the specified voltage should be used.)
2. The power switch of the transceiver must be OFF, or remove the power pack from the transceiver.

3. Connect the output plug of the wall charger (CM-25U/E), or other power source, to the charger socket of the power pack. (When charging Nickel-Cadmium batteries in the IC-CM4 power pack, you should use the CM-30 charger only.)

The charge indicator LED of the power pack is lit, which shows that the charger is working.



4. It takes about 15 hours to charge the batteries completely. This charger is designed for 0.1C (10-hour rate current), but charge for 15 hours in order to compensate for any unbalance of the batteries.

You should charge the batteries for 15 hours when you have not used them for a long time or after buying them.

5. Charge between 0° C and 40° C.
6. Avoid continuing charging as much as possible after full charging, (15 hours). If excess charging is repeated, efficiency of the power pack is reduced.
7. After charging, unplug the power source from the charger socket of the power pack. The transceiver and the power pack are now ready for operation.



## PRECAUTIONS FOR USE OF THE NICKEL-CADMIUM BATTERIES (from the JIS C8705 MANUAL)

### General Cautions

1. Never short the power pack.

Since internal resistance is low, excess shorted current flows away, causing the batteries or conductors to burn. Avoid shorts! A label showing polarity is on the power pack.

2. Never solder the batteries directly.

If the batteries are soldered directly, the separator or insulator may become melted and damaged. Accordingly, the terminal must be spot-welded first and then soldered.

3. Confirm polarities in order to prevent reverse charging.

If they are charged in reverse, batteries may be damaged. Therefore confirmation of correct polarity is essential, to proper operation.

4. Never charge with excess charging current.

If an excess charging rate is employed, gas consumption speed cannot keep up with gas generating speed at the time of charging. Batteries may be damaged by increasing internal pressure. Accordingly, the charging must be kept regulated.

5. Avoid charging under 0°C or over 40°C.

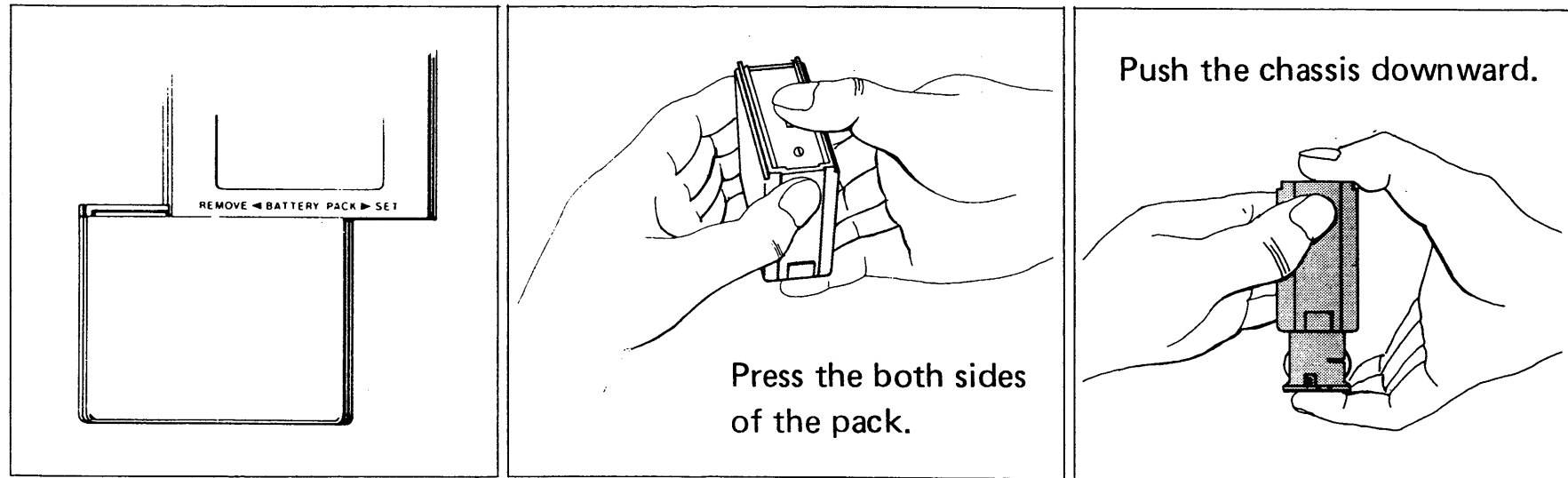
Under 0°C, since gas consumption speed becomes lower at the charging time, inside pressure increases and hydrogen is generated. Since charging efficiency is reduced over 40°C, it is rather difficult to charge. Accordingly, charging must be done between 0°C and 40°C.

6. Never put batteries into fire.

Since there may be a little gas left in the batteries, internal pressure increases suddenly and the batteries explode if thrown into a fire. Also, battery electrolyte is ejected and can cause damage to skin and clothes.

**When using the alkaline power pack IC-CM4:**

Place the power switch in the OFF position. Remove the power pack from the bottom of the set by pushing the pack in the indicated direction. Separate the pack into two parts (chassis and case) as follows:



The chassis holds six AA type batteries. Install batteries into each holder, according to indicated polarity. With the batteries properly in place, carefully replace the pack and slip it onto the set with the reverse procedures.

Also, AA type Nickel-Cadmium, rechargeable batteries can be used. But the charger for them should be the optional CM-30 charger.

## **WHEN TO REPLACE BATTERIES (When using alkaline batteries)**

When the Transmit Indicator LED does not light up during transmission, the batteries are exhausted. Use batteries of the same type, for mixed types might cause leakage. Replace worn batteries with a complete new set. If used with old batteries, the life of new ones might be shortened. Battery life is shortened more by transmitting than by receiving, since several times more current is drawn during transmission. To prolong battery life, therefore, practice the following:

- \* Try to minimize the transmit period.
- \* Reduce volume during reception.
- \* Be sure to cut off power source when set is not used.

More working hours are available if high-performance batteries are employed.

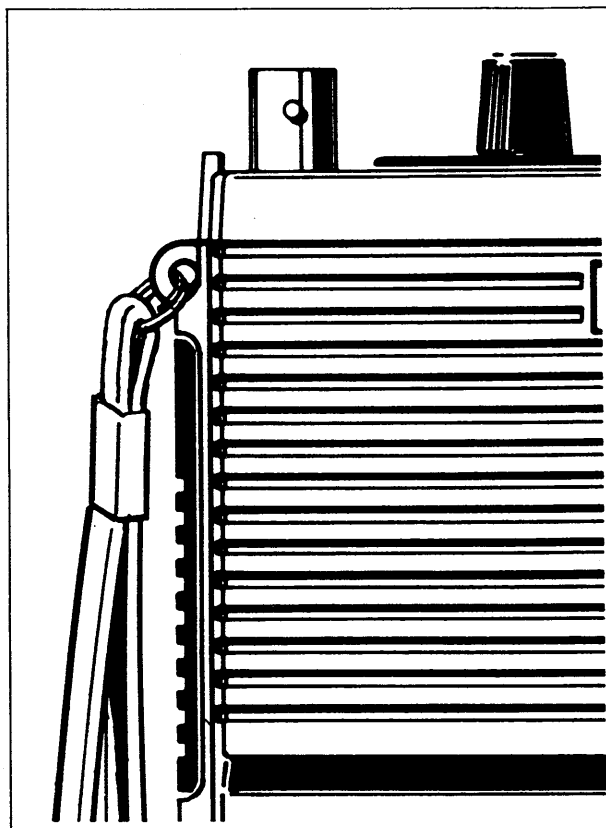
## **FOR USE**

1. Attach the supplied power pack. (Refer to "BATTERY INSTALLATION")
2. Attach the supplied hand strap and belt clip through the fixture on the body (as shown in the drawings on page 10.)
3. Attach the flexible rubber antenna or connect an external antenna.

## **EXTERNAL ANTENNA**

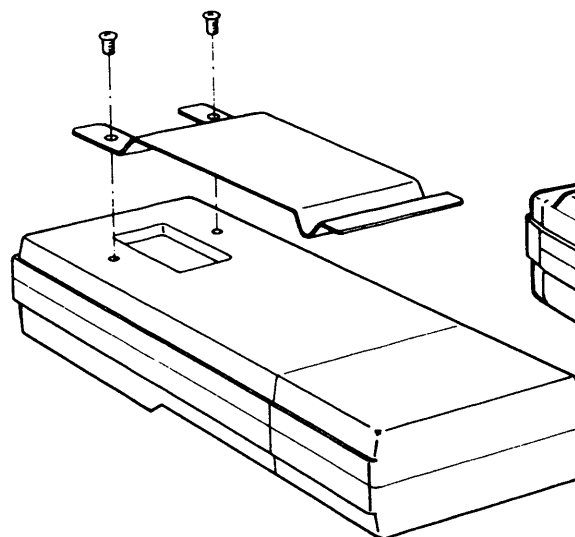
1. Select a high performance antenna and set it up in the highest possible position.
2. Use a 50 ohm antenna and coaxial cable.
3. On VHF, the power loss in the antenna cable is large, so use a cable with the lowest possible loss and make it as short as possible.
4. Use a BNC plug for connection to the unit.

## ATTACHMENT OF HAND STRAP AND BELT CLIP

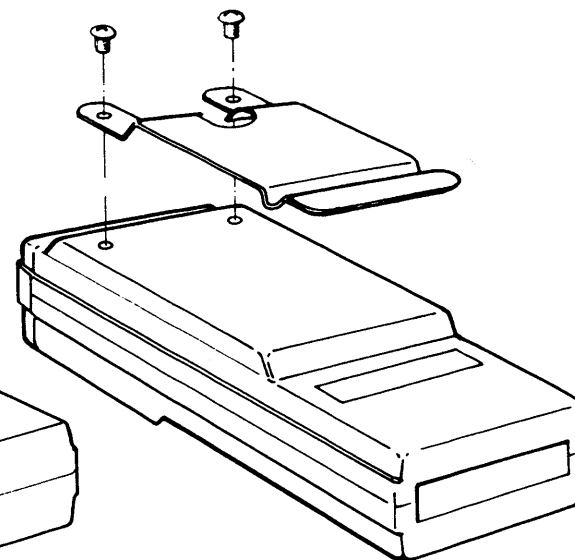


- Attach the belt clip on the back cover with 2 screws supplied.

IC-H2



IC-H6



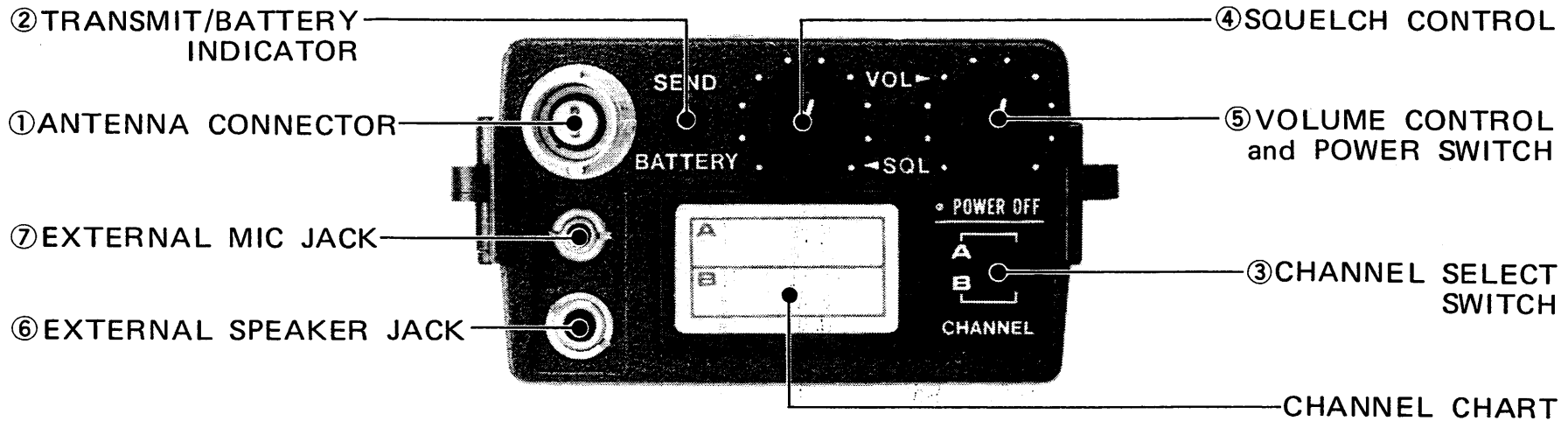
## CHANGE OR ADDITION OF CHANNELS

The design of your ICOM Radiotelephone provides an inexpensive means for expanding channel capability. The services of a dealers technician is required for installation and alignment. The additional channel(s) you require may be placed any where on the CHANNEL SELECT switch you choose.

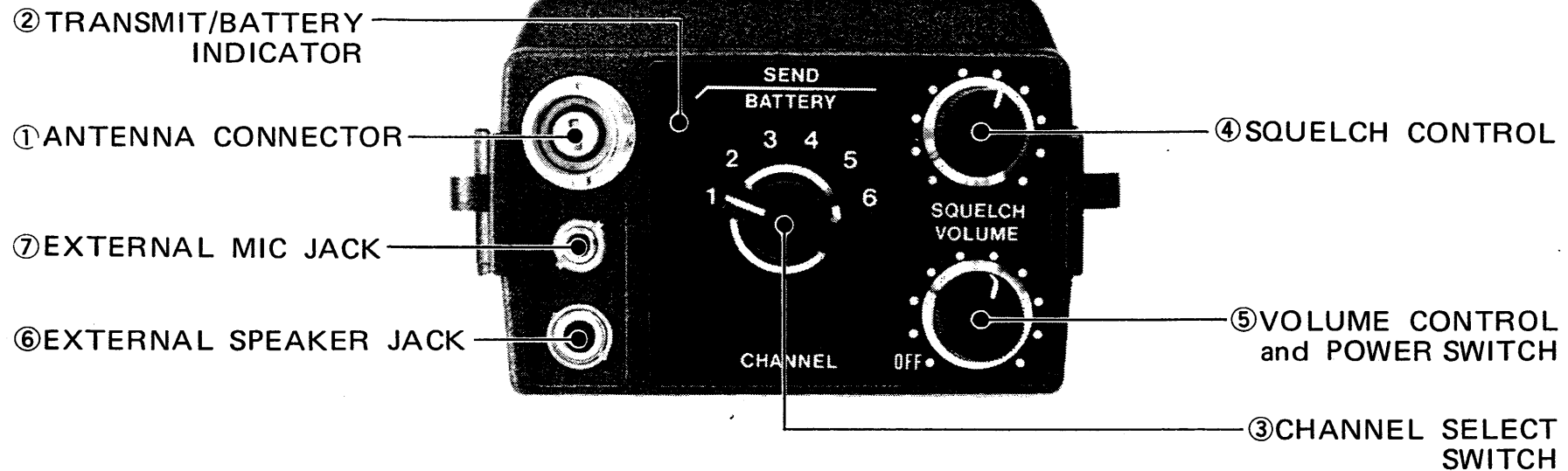
# SECTION V CONTROL FUNCTIONS

## TOP PANEL

IC-H2

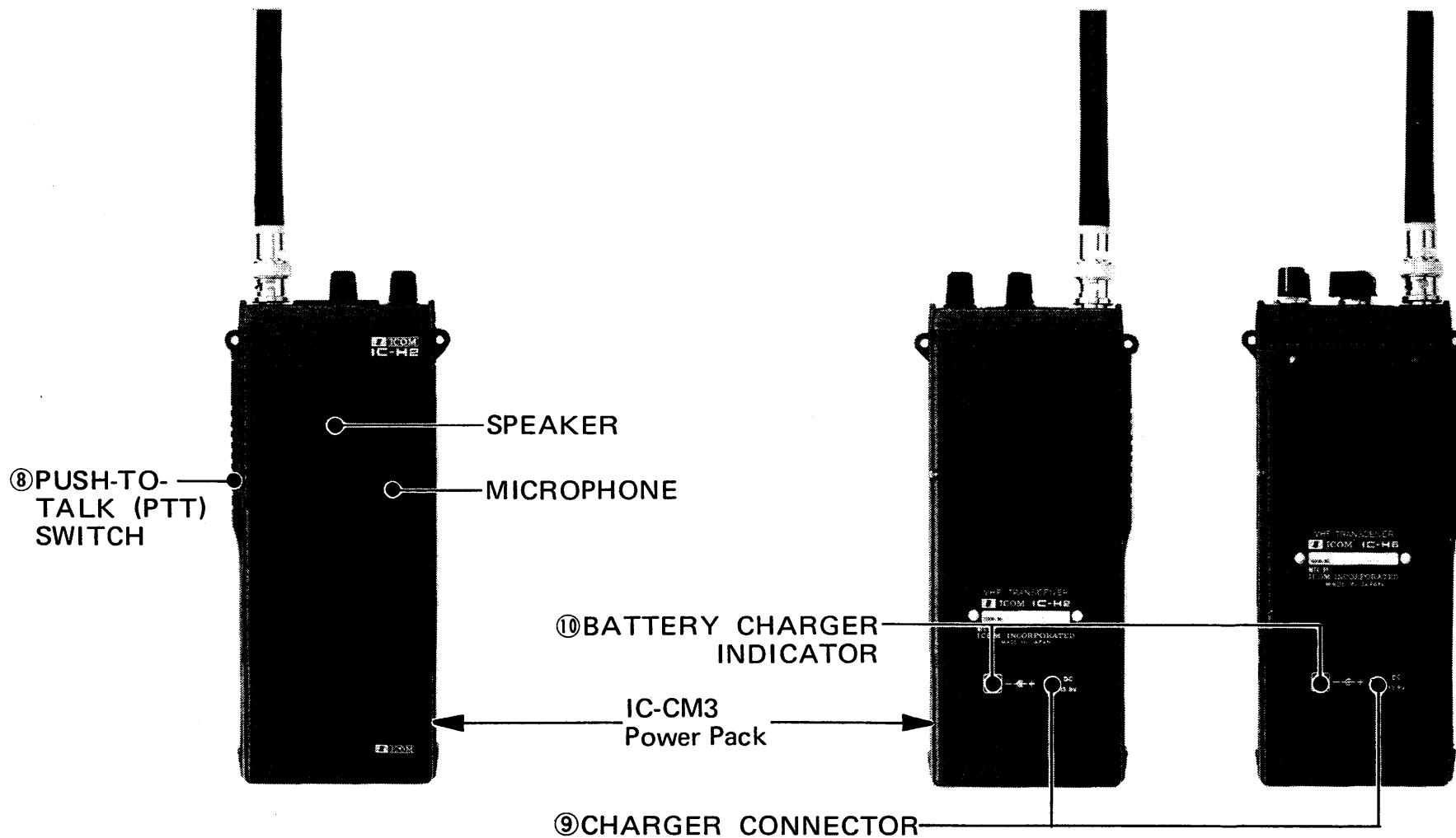


IC-H6



FRONT PANEL

REAR PANEL



① **ANTENNA CONNECTOR**

Connect the supplied flexible antenna. An external antenna can be used, using a BNC connector.

② **TRANSMIT/BATTERY INDICATOR**

Illuminates in the transmit mode. Also indicates the battery condition; during transmission. The voltage of Nickel-Cadmium batteries drops rapidly just before they are exhausted, so when this indicator goes out, be sure to immediately stop using it, and charge the batteries again.

③ **CHANNEL SELECT SWITCH**

Selects one of the programmed channels.

④ **SQUELCH CONTROL**

Sets the squelch threshold level. To turn OFF the squelch function, rotate this control completely counterclockwise. To set the threshold level higher, rotate the control clockwise.

⑤ **VOLUME CONTROL and POWER SWITCH**

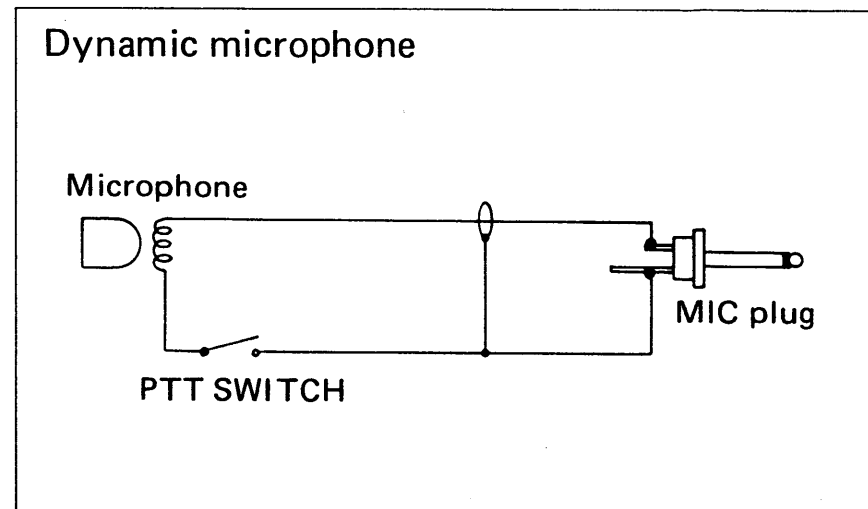
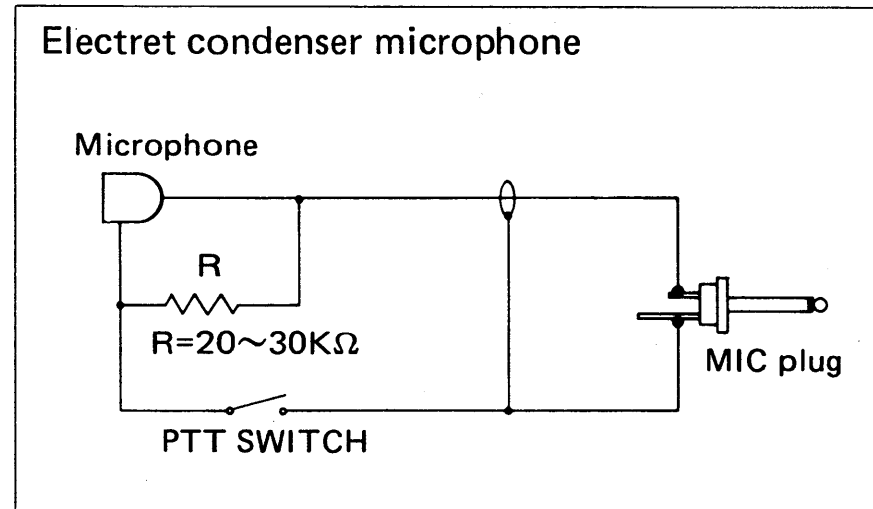
When the control is turned completely counterclockwise, the power is OFF. By turning the control clockwise beyond the "click", the unit is turned ON and the audio level increases by further rotating it clockwise.

⑥ **EXTERNAL SPEAKER JACK**

When an external speaker (or an earphone) is used, connect it to this jack. Use a speaker with an impedance of 8 ohms. When the external speaker is connected the built-in speaker does not function.

⑦ **EXTERNAL MIC JACK**

When an external microphone is used, connect it to this jack. See the schematic for the proper hookup. When the external microphone is connected the built-in microphone does not function. The IC-CM9 optional speaker-microphone can also be used.



⑧ **PUSH-TO-TALK (PTT) SWITCH**

For transmission, press this switch and talk into the microphone with normal voice. The internal microphone is of the electret-condenser type and provides good pickup for all levels of voice.

⑨ **CHARGER CONNECTOR**

Connects to the output plug of the wall charger CM-25U/E or other 12V DC power source.

⑩ **BATTERY CHARGE INDICATOR**

Lights during battery charging.



## SECTION VI OPERATION

### RECEIVING

Make sure the ⑤ VOLUME CONTROL and POWER SWITCH is in the OFF position, and before turning ON the power switch, confirm as follows:

1. Make sure the power pack is properly charged and attached to the set.
2. Make sure the supplied flexible antenna is properly set.

When an external antenna is employed, make sure the coaxial line is of the correct impedance (50 ohms) and is neither shorted nor opened, and is firmly connected to the antenna connector.

Set the controls and switches as follows:

- |                                   |  |
|-----------------------------------|--|
| ④ SQUELCH CONTROL                 | Completely counterclockwise                |
| ⑤ VOLUME CONTROL and POWER SWITCH | Completely counterclockwise (OFF position) |
| ③ CHANNEL SELECT SWITCH           | Desired channel                            |

Turn the ⑤ VOLUME CONTROL and POWER SWITCH clockwise (it will "click" ON) to a comfortable audio level.

If only noise can be heard and no signal, turn the ④ SQL control clockwise until the noise from the speaker stops and set it just below this threshold. (When adjusting the SQL setting, if some communication signals can be heard, turn the CHANNEL SELECT switch so that only noise can be heard.)

Your transceiver will now remain silent until an incoming signal is received which opens the squelch. If the squelch is unstable due to the reception of weak signals, adjust the squelch control further until the proper threshold is obtained.

If you wish to monitor one of the channels installed, simply set the Channel Select switch to the desired channel.

## **TRANSMITTING**

Set the controls and switches at the same positions as receiving.

Hold the transceiver fairly close to your mouth. Depress the ⑧ PTT switch and speak in a clear, natural voice. When you have finished your part of the conversation, release the PTT switch, and the radio will receive.



**ICOM INCORPORATED**

1-6-19, KAMI KURATSUKURI, HIRANO-KU,  
OSAKA JAPAN

A-0438  
Printed in Japan